

Forms and Diagrams

DEALER # _____

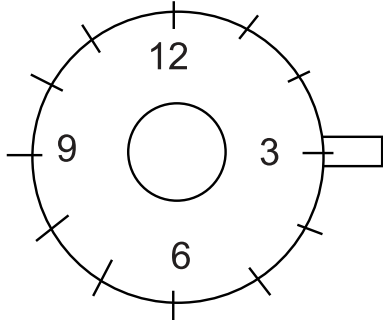
DEALER _____

SCHLUETER MILK RECEIVER ORDER FORM

DATE _____

PO# _____

DIA.



PUMP OUTLET SIZE

1.5" 39MM

2.0" 51MM

2.5" 63MM

WITH FITTING

NO FITTING

Total Capacity Dimensions

12 Gallon 14"D x 18"H

16 Gallon 18"D x 18"H

26 Gallon 18"D x 24"H

55 Gallon 26"D x 24"H

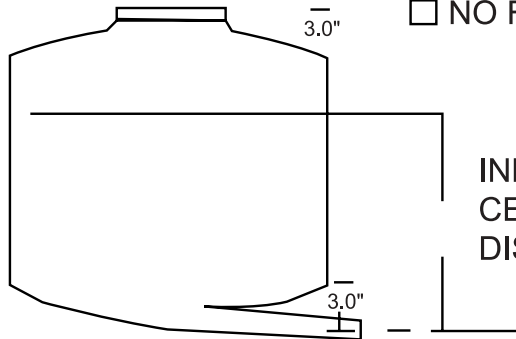
69 Gallon 26"D x 30"H

82 Gallon 26"D x 36"H

96 Gallon 26"D x 40"H

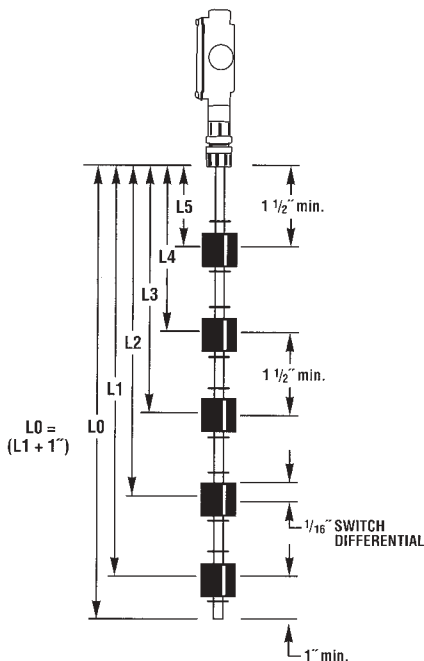
HEIGHT

TC

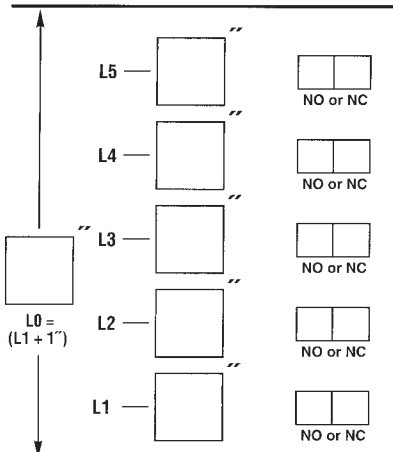


INLET
CENTER
DISTANCE

ORDER FORM FOR CUSTOM MULTI-STAGE LEVEL CONTROL



TOP OF STEM



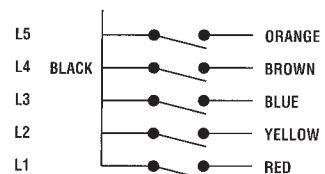
FURNISH DIMENSIONAL DATA
IN APPROPRIATE BOXES
LISTED ABOVE

SELECT
APPROPRIATE
SWITCH LOGIC
IN TANK
EMPTY CONDITION

Wiring Configurations:

W-A W-B

W-A SPST 100 WATT



W-B SPST 100 WATT

